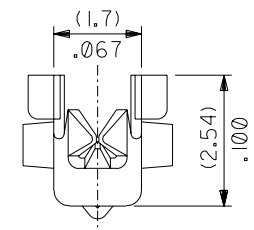
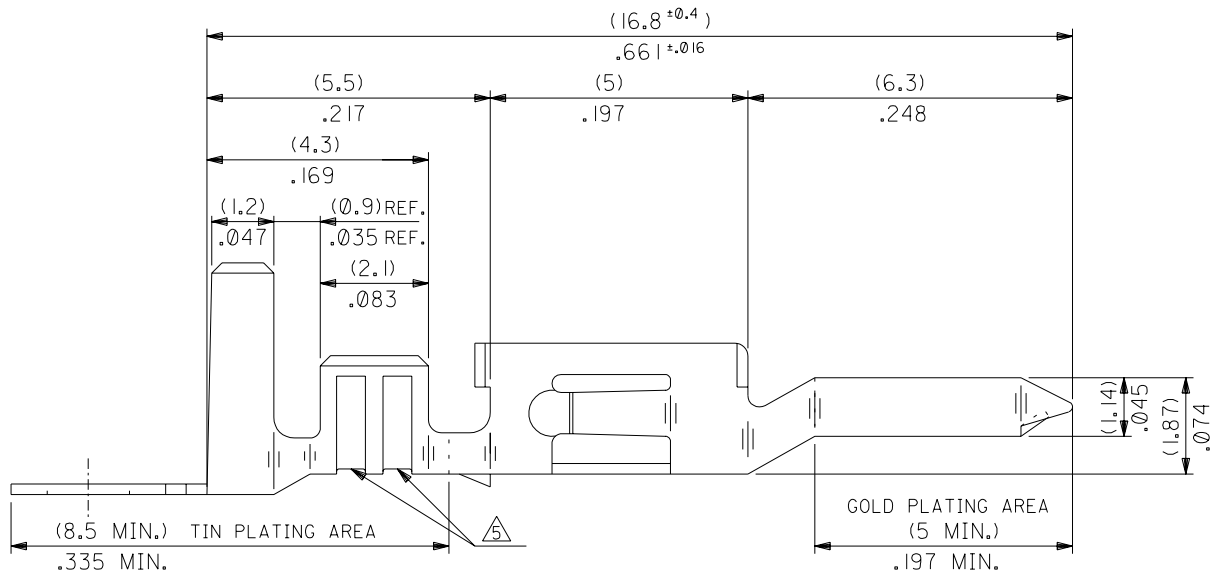
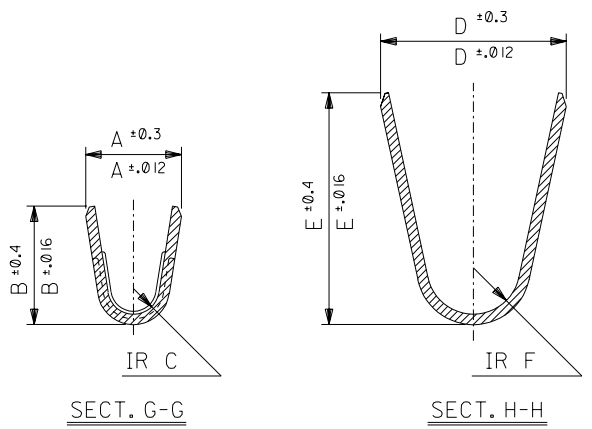


- NOTES
1. APPLICABLE HOUSING : 5559 SERIES
 2. MATES WITH TERMINAL : 5556 SERIES
 3. (METRIC) VALUES SHOWN GOVERN OVER ENGLISH CONVERSION VALUES.
 4. GENERAL TOLERANCES OF ENGLISH CONVERSION VALUES : ±.008 INCH
- △ THE NUMBER OF SERRATIONS TO BE ONE FOR WIRE RANGE #22-28.



		材料 MATERIAL		SEE SHEET 2 OF 2	molex MOLEX-JAPAN CO.,LTD. 日本モレックス株式会社	
		仕上げ FINISH		SEE SHEET 2 OF 2	EDP. NO. SEE SHEET 2 OF 2	
		適用電線範囲 WIRE RANGE		SEE SHEET 2 OF 2	ENG. NO. SHEET 1 OF 2 SD-5558**GS**	
		被覆外径 INS. RANGE		SEE SHEET 2 OF 2	REV D	
角度 ANGLE	±3°	D	REVISD (J2004-3266)	Y.S. K.T.	04/4/8	
30 以上 OVER	+0.3	C	REVISD (J10381)	H.H.	9/16/25	
10 以上 OVER 30 未満 UNDER	+0.25	B	REVISD & REDRAWN (J10202)	H.H.	9/14/27	
10 未満 UNDER	+0.2		変更内容 REVISION RECORD	DR. CHK.	日付 DATE	
一般公差 GENERAL TOLERANCES		REVISE ONLY ON CAD SYSTEM				
		DRAWN BY '91/3/13 H.HIRAMOTO		CHK'D BY '92/05/21 M.FUKUSHIMA		TITLE 名称 NEW MINI. FIT CONN. CRIMP PIN -LEAD FREE-
		APP'D BY '92/05/21 M.ENOMOTO		尺度 SCALE 10 - 1		

EDP NO. SEE CHART
 ENG. NO. SHEET 2 OF 2
 SD-5558**GS**

MM DIMENSIONS IN METRIC DO NOT SCALE DRAWING

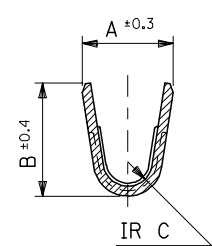
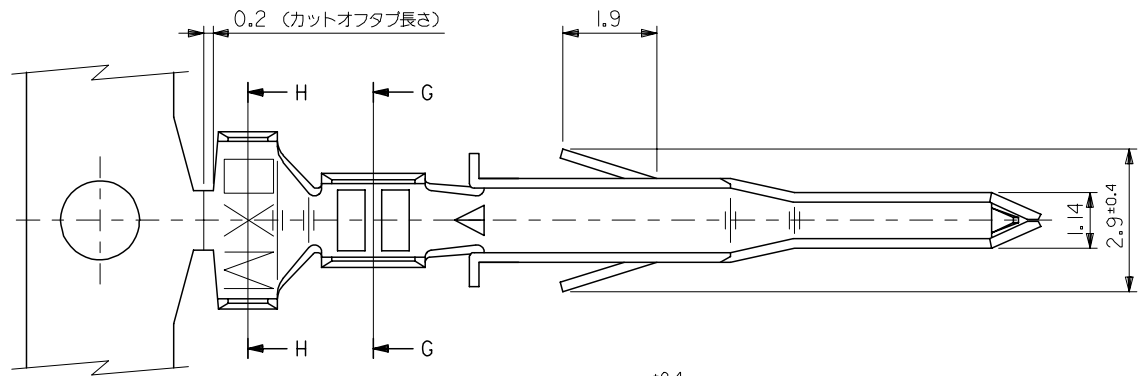
MATERIAL	FINISH	F	E	D	C	B	A	INS. RANGE	WIRE RANGE	EDP NO.	MATERIAL NO.	FORM
PHOSPHOR BRONZE	SELECTIVE GOLD (0.76μm)/30m.i. MIN. AND SELECTIVE TIN (2.03μm)/80m.i. MIN. OVER NICKEL (1.27μm)/50m.i. MIN.	(0.9) .035	(4.5) .177	(3.6) .142	(0.6) .024	(2.7) .106	(2.3) .091	∅ (3.1) .122 MAX.	# 16	39-00-0224	5558 PBGS3L	LOOSE
		(0.6) .024	(2.3) .091	(2.3) .091	(0.4) .016	(1.65) .065	(1.8) .071	∅ (0.9-1.8) .035-.071	#22-28	↑ -0223	↑ PBGS3	CHAIN
		(0.9) .035	(4.5) .177	(3.6) .142	(0.5) .020	(2.3) .091	(1.9) .075	∅ (1.3-3.1) .051-.122	# 18-24	-0222	PBGS2L	LOOSE
										-0221	PBGS2	CHAIN
BRASS	SELECTIVE GOLD (1.27μm)/50m.i. MIN. AND SELECTIVE TIN (2.54μm)/100m.i. MIN. OVER NICKEL (1.27μm)/50m.i. MIN.	(0.9) .035	(4.5) .177	(3.6) .142	(0.6) .024	(2.7) .106	(2.3) .091	∅ (3.1) .122 MAX.	# 16	-0148	GS9L	LOOSE
		(0.6) .024	(2.3) .091	(2.3) .091	(0.4) .016	(1.65) .065	(1.8) .071	∅ (0.9-1.8) .035-.071	#22-28	↓ -0147	GS9	CHAIN
		(0.9) .035	(4.5) .177	(3.6) .142	(0.5) .020	(2.3) .091	(1.9) .075	∅ (1.3-3.1) .051-.122	# 18-24	↓ -0146	GS8L	LOOSE
										39-00-0145	GS8	CHAIN
	SELECTIVE GOLD (0.38μm)/15m.i. MIN. AND SELECTIVE TIN (2.03μm)/80m.i. MIN. OVER NICKEL (1.27μm)/50m.i. MIN.	(0.9) .035	(4.5) .177	(3.6) .142	(0.6) .024	(2.7) .106	(2.3) .091	∅ (3.1) .122 MAX.	# 16	↑ -0099	GS6L	LOOSE
		(0.6) .024	(2.3) .091	(2.3) .091	(0.4) .016	(1.65) .065	(1.8) .071	∅ (0.9-1.8) .035-.071	#22-28	-0098	GS5L	LOOSE
		(0.9) .035	(4.5) .177	(3.6) .142	(0.5) .020	(2.3) .091	(1.9) .075	∅ (1.3-3.1) .051-.122	# 18-24	-0097	GS5	CHAIN
										-0076	GS4L	LOOSE
	SELECTIVE GOLD (0.76μm)/30m.i. MIN. AND SELECTIVE TIN (2.03μm)/80m.i. MIN. OVER NICKEL (1.27μm)/50m.i. MIN.	(0.9) .035	(4.5) .177	(3.6) .142	(0.6) .024	(2.7) .106	(2.3) .091	∅ (3.1) .122 MAX.	# 16	-0075	GS4	CHAIN
		(0.6) .024	(2.3) .091	(2.3) .091	(0.4) .016	(1.65) .065	(1.8) .071	∅ (0.9-1.8) .035-.071	#22-28	-0096	GS3L	LOOSE
		(0.9) .035	(4.5) .177	(3.6) .142	(0.5) .020	(2.3) .091	(1.9) .075	∅ (1.3-3.1) .051-.122	# 18-24	-0095	GS3	CHAIN
										-0433	GS2L7F	LOOSE
									↓ -0432	GS27F	CHAIN	
									↓ -0431	↓ GSL7F	LOOSE	
									39-00-0430	5558 GS7F	CHAIN	

材料 MATERIAL		SEE CHART		MOLEX-JAPAN CO.,LTD. 日本モレックス株式会社	
THICKNESS : (0.203)/.008				EDP. NO.	
仕上げ FINISH		SEE CHART		SEE CHART	
角度 ANGLE	+3°	D	SEE SHEET 1 OF 2	適用電線範囲 WIRE RANGE	SEE CHART
30 以上 OVER	+0.3	C	SEE SHEET 1 OF 2	被覆外径 INS. RANGE	SEE CHART
10 以上 OVER 30 未満 UNDER	+0.25	B	SEE SHEET 1 OF 2	DRAWN BY '91/3/13 H.HIRAMOTO	CHK'D BY '92/05/21 M.FUKUSHIMA
10 未満 UNDER	+0.2	A	SEE SHEET 1 OF 2	APP'D BY '92/05/21 M.ENOMOTO	尺 度 SCALE 10 - 1
一般公差 GENERAL TOLERANCES	REVISE ONLY ON CAD SYSTEM				

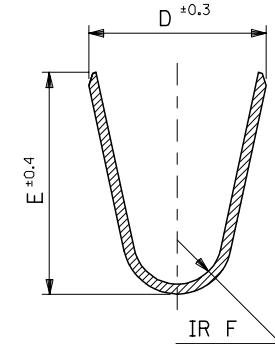


MOLEX-JAPAN CO.,LTD.
 日本モレックス株式会社
 EDP. NO. SEE CHART
 ENG. NO. SHEET 2 OF 2 REV D
 SD-5558**GS**
 TITLE 名称
 NEW MINI. FIT CONN.
 CRIMP PIN -LEAD FREE-

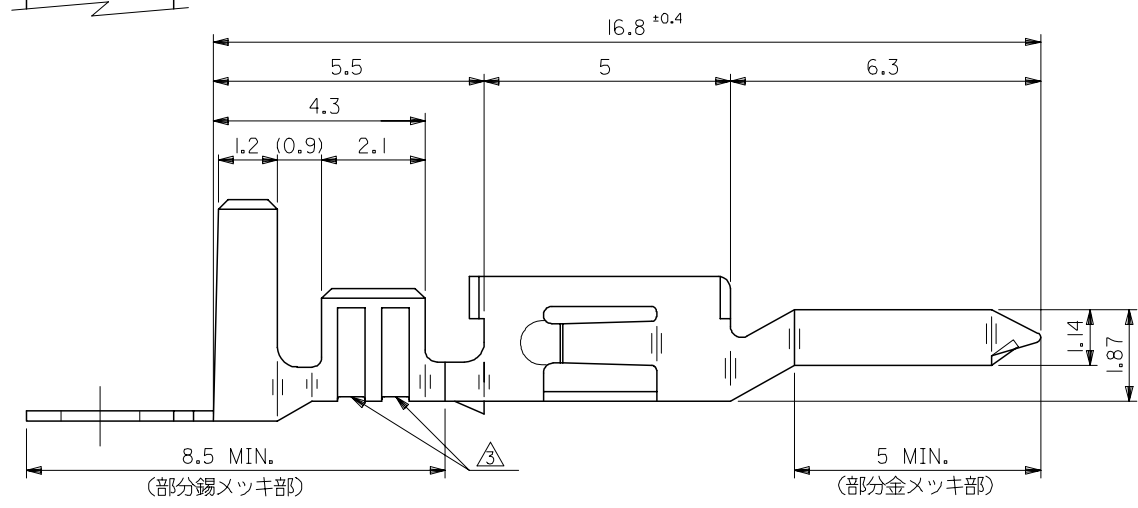
10 9 8 7 6 5 4 3 2 1



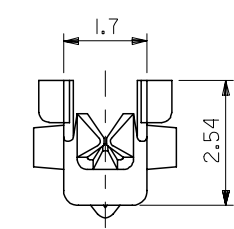
SECT. G-G



SECT. H-H



- NOTES**
1. 適合ハウジング : 5559 シリーズ
 2. 嵌合相手 : 5556 シリーズ
 - △ 適用電線が# 22-28 の製品のセレーション数は1とする。
 4. 本製品は 5558GS** の鉛フリー品である。




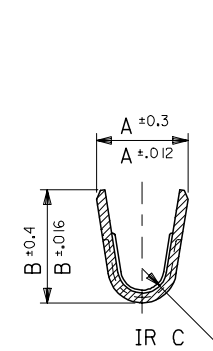
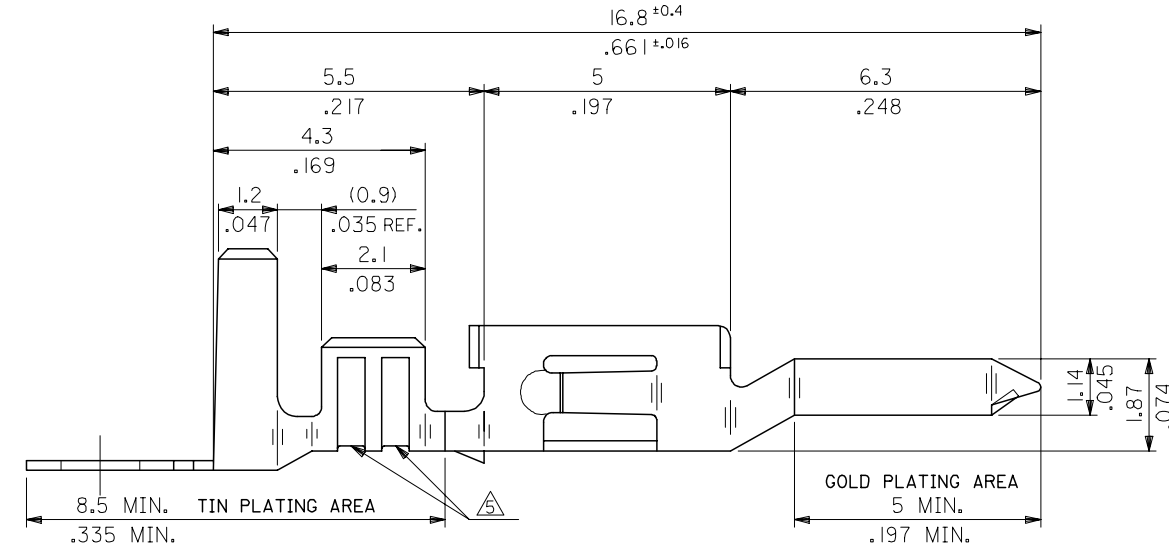
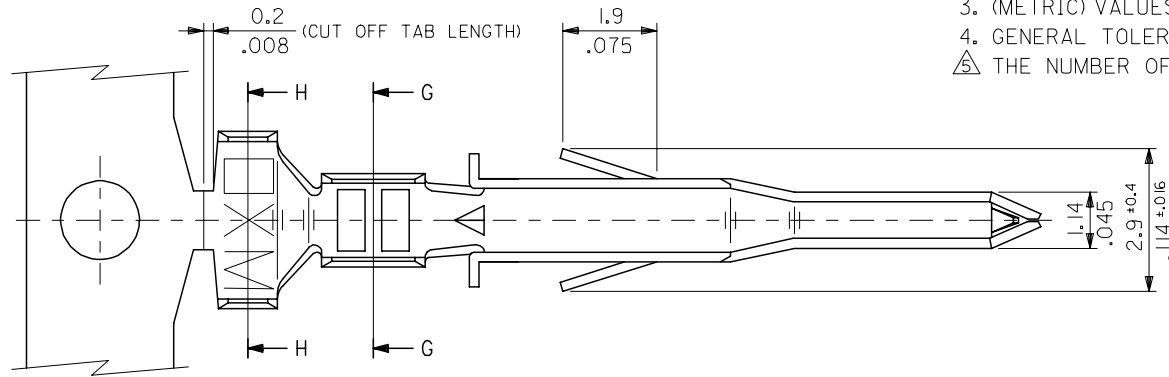
部分金メッキ : 0.76 μm MIN.	0.6	2.3	2.3	0.4	1.65	1.8	∅ 0.9-1.8	#22-28	39-00-0433	5558 GS2L7F	バラ状
部分錫メッキ : 2 μm MIN.									↑ -0432	↑ GS27F	連鎖状
ニッケルメッキ (下地) : 1.27 μm MIN.	0.9	4.5	3.6	0.5	2.3	1.9	∅ 1.3-3.1	#18-24	↓ -0431	↓ GSL7F	バラ状
メッキ	F	E	D	C	B	A	被覆外径	適用電線	EDP NO.	ENG. NO.	端子形状
							39-00-043*	EDP NO.	5558GS****	MODEL NO.	

材料 MATERIAL	黄銅 (t=0.203) BRASS
仕上げ FINISH	表参照 SEE CHART
適用電線範囲 WIRE RANGE	表参照 SEE CHART
被覆外径 INS. RANGE	表参照 SEE CHART

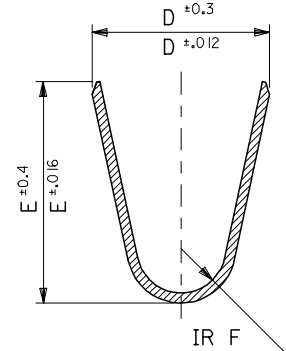
REVISED EC NO: J2005-2285 DRWN: NABE 2005/07/06 CHKD: KTOJO 2005/07/06 APPR: NUKITA 2005/07/12	GENERAL TOLERANCES (UNLESS SPECIFIED)	DIMENSION STYLE MM ONLY	SCALE 10:1	DESIGN UNITS METRIC	THIRD ANGLE PROJECTION
	10 UNDER ±0.2	DRAWN BY Y. SAKIYAMA	DATE '04/04/08	TITLE NEW MINI. FIT CONN. CRIMP PIN -LEAD FREE-	
	10 OVER 30 UNDER ±0.25	CHECKED BY M. SASAO	DATE '04/04/08	MOLEX INCORPORATED	
	30 OVER ±0.3	APPROVED BY M. SASAO	DATE '04/04/08	MATERIAL NO. SEE CHART	DOCUMENT NO. SD-5558-001
A	ANGULAR ±3 °	DRAFT WHERE APPLICABLE MUST REMAIN WITHIN DIMENSIONS			
		THIS DRAWING CONTAINS INFORMATION THAT IS PROPRIETARY TO MOLEX INCORPORATED AND SHOULD NOT BE USED WITHOUT WRITTEN PERMISSION			

10 9 8 7 6 5 4 3 2 1

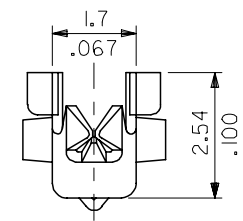
- NOTES
1. APPLICABLE HOUSING : 5559 SERIES
 2. MATES WITH TERMINAL : 5556 SERIES
 3. (METRIC) VALUES SHOWN GOVERN OVER ENGLISH CONVERSION VALUES.
 4. GENERAL TOLERANCES OF ENGLISH CONVERSION VALUES : $\pm .008$ INCH
-  THE NUMBER OF SERRATIONS TO BE ONE FOR WIRE RANGE #22-28.




SECT. G-G



SECT. H-H



REVISED EC NO: J2005-2285 DRWN: NABEI CHKD: KTOJO APPR: NUKITA 2005/07/06 2005/07/06 2005/07/12	GENERAL TOLERANCES (UNLESS SPECIFIED)		DIMENSION STYLE	SCALE	DESIGN UNITS	THIRD ANGLE PROJECTION		
			MM ONLY	10:1	METRIC			
	10 UNDER	± 0.2	DRAWN BY	TITLE				
	10 OVER 30 UNDER	± 0.25	H. HIRAMOTO	NEW MINI FIT CONN CRIMP PIN -LEAD FREE-				
	30 OVER	± 0.3	M. FUKUSHIMA	MOLEX INCORPORATED				
ANGULAR	$\pm 3^\circ$	M. ENOMOTA	MATERIAL NO.	DOCUMENT NO.	SHEET NO.			
DRAFT WHERE APPLICABLE MUST REMAIN WITHIN DIMENSIONS			SEE CHART	SD-5558-002	1 OF 2			
SIZE  THIS DRAWING CONTAINS INFORMATION THAT IS PROPRIETARY TO MOLEX INCORPORATED AND SHOULD NOT BE USED WITHOUT WRITTEN PERMISSION								

10 9 8 7 6 5 4 3 2 1

F

E

D

C

B

A

F

E

D

C

B

A

PHOSPHOR BRONZE	SELECTIVE GOLD 0.76µm /30m.i. MIN. AND SELECTIVE TIN 2.03µm /80m.i. MIN. OVER NICKEL 1.27µm /50m.i. MIN.	0.9	4.5	3.6	0.6	2.7	2.3	∅ 3.1	# 16	39-00-0224	5558 PBGS3L	LOOSE			
		.035	.177	.142	.024	.106	.091	.122	MAX.		↑ -0223	↑ PBGS3	CHAIN		
		0.6	2.3	2.3	0.4	1.65	1.8	∅ 0.9-1.8	#22-28		-0222	PBGS2L	LOOSE		
	SELECTIVE GOLD 1.27µm /50m.i. MIN. AND SELECTIVE TIN 2.54µm /100m.i. MIN. OVER NICKEL 1.27µm /50m.i. MIN.	SELECTIVE GOLD 0.38µm /15m.i. MIN. AND SELECTIVE TIN 2.03µm /80m.i. MIN. OVER NICKEL 1.27µm /50m.i. MIN.	0.9	4.5	3.6	0.5	2.3	1.9	∅ 1.3-3.1	#18-24		PBGS2	CHAIN		
			.024	.091	.091	.016	.065	.071	.035-.071			-0221	PBGS2	CHAIN	
			0.9	4.5	3.6	0.5	2.3	1.9	∅ 1.3-3.1	#18-24		-0220	PBGS2L	LOOSE	
	BRASS	SELECTIVE GOLD 0.76µm /30m.i. MIN. AND SELECTIVE TIN 2.03µm /80m.i. MIN. OVER NICKEL 1.27µm /50m.i. MIN.	0.9	4.5	3.6	0.6	2.7	2.3	∅ 3.1	# 16		GS9L	LOOSE		
			.035	.177	.142	.024	.106	.091	.122	MAX.		↓ -0148	GS9L	LOOSE	
			0.6	2.3	2.3	0.4	1.65	1.8	∅ 0.9-1.8	#22-28		-0147	GS9	CHAIN	
		SELECTIVE GOLD 0.76µm /30m.i. MIN. AND SELECTIVE TIN 2.03µm /80m.i. MIN. OVER NICKEL 1.27µm /50m.i. MIN.	SELECTIVE GOLD 0.38µm /15m.i. MIN. AND SELECTIVE TIN 2.03µm /80m.i. MIN. OVER NICKEL 1.27µm /50m.i. MIN.	0.9	4.5	3.6	0.6	2.7	2.3	∅ 3.1	# 16		GS8L	LOOSE	
				.035	.177	.142	.024	.106	.091	.122	MAX.		↓ -0146	GS8L	LOOSE
				0.6	2.3	2.3	0.4	1.65	1.8	∅ 0.9-1.8	#22-28		39-00-0145	GS8	CHAIN
SELECTIVE GOLD 0.76µm /30m.i. MIN. AND SELECTIVE TIN 2.03µm /80m.i. MIN. OVER NICKEL 1.27µm /50m.i. MIN.		SELECTIVE GOLD 0.38µm /15m.i. MIN. AND SELECTIVE TIN 2.03µm /80m.i. MIN. OVER NICKEL 1.27µm /50m.i. MIN.	0.9	4.5	3.6	0.5	2.3	1.9	∅ 1.3-3.1	#18-24		40-13-0854	GS7L	LOOSE	
			.024	.091	.091	.016	.065	.071	.035-.071			40-13-0853	GS7	CHAIN	
			0.9	4.5	3.6	0.5	2.3	1.9	∅ 1.3-3.1	#18-24		39-00-0100	GS6L	LOOSE	
SELECTIVE GOLD 0.76µm /30m.i. MIN. AND SELECTIVE TIN 2.03µm /80m.i. MIN. OVER NICKEL 1.27µm /50m.i. MIN.		SELECTIVE GOLD 0.38µm /15m.i. MIN. AND SELECTIVE TIN 2.03µm /80m.i. MIN. OVER NICKEL 1.27µm /50m.i. MIN.	0.9	4.5	3.6	0.6	2.7	2.3	∅ 3.1	# 16		GS6L	LOOSE		
			.035	.177	.142	.024	.106	.091	.122	MAX.		↑ -0099	GS6	CHAIN	
			0.6	2.3	2.3	0.4	1.65	1.8	∅ 0.9-1.8	#22-28		-0098	GS5L	LOOSE	
SELECTIVE GOLD 0.76µm /30m.i. MIN. AND SELECTIVE TIN 2.03µm /80m.i. MIN. OVER NICKEL 1.27µm /50m.i. MIN.	SELECTIVE GOLD 0.38µm /15m.i. MIN. AND SELECTIVE TIN 2.03µm /80m.i. MIN. OVER NICKEL 1.27µm /50m.i. MIN.	0.9	4.5	3.6	0.5	2.3	1.9	∅ 1.3-3.1	#18-24		GS5	CHAIN			
		.024	.091	.091	.016	.065	.071	.035-.071			-0097	GS5	CHAIN		
		0.9	4.5	3.6	0.5	2.3	1.9	∅ 1.3-3.1	#18-24		-0076	GS4L	LOOSE		
SELECTIVE GOLD 0.76µm /30m.i. MIN. AND SELECTIVE TIN 2.03µm /80m.i. MIN. OVER NICKEL 1.27µm /50m.i. MIN.	SELECTIVE GOLD 0.38µm /15m.i. MIN. AND SELECTIVE TIN 2.03µm /80m.i. MIN. OVER NICKEL 1.27µm /50m.i. MIN.	0.9	4.5	3.6	0.6	2.7	2.3	∅ 3.1	# 16		GS4L	LOOSE			
		.035	.177	.142	.024	.106	.091	.122	MAX.		↓ -0075	GS4	CHAIN		
		0.6	2.3	2.3	0.4	1.65	1.8	∅ 0.9-1.8	#22-28		-0096	GS3L	LOOSE		
SELECTIVE GOLD 0.76µm /30m.i. MIN. AND SELECTIVE TIN 2.03µm /80m.i. MIN. OVER NICKEL 1.27µm /50m.i. MIN.	SELECTIVE GOLD 0.38µm /15m.i. MIN. AND SELECTIVE TIN 2.03µm /80m.i. MIN. OVER NICKEL 1.27µm /50m.i. MIN.	0.9	4.5	3.6	0.5	2.3	1.9	∅ 1.3-3.1	#18-24		GS3L	LOOSE			
		.024	.091	.091	.016	.065	.071	.035-.071			-0095	GS3	CHAIN		
		0.9	4.5	3.6	0.5	2.3	1.9	∅ 1.3-3.1	#18-24		-0433	GS2L7F	LOOSE		
SELECTIVE GOLD 0.76µm /30m.i. MIN. AND SELECTIVE TIN 2.03µm /80m.i. MIN. OVER NICKEL 1.27µm /50m.i. MIN.	SELECTIVE GOLD 0.38µm /15m.i. MIN. AND SELECTIVE TIN 2.03µm /80m.i. MIN. OVER NICKEL 1.27µm /50m.i. MIN.	0.9	4.5	3.6	0.6	2.7	2.3	∅ 3.1	# 16		GS2L7F	LOOSE			
		.035	.177	.142	.024	.106	.091	.122	MAX.		↓ -0432	GS27F	CHAIN		
		0.6	2.3	2.3	0.4	1.65	1.8	∅ 0.9-1.8	#22-28		-0431	GS7F	LOOSE		
SELECTIVE GOLD 0.76µm /30m.i. MIN. AND SELECTIVE TIN 2.03µm /80m.i. MIN. OVER NICKEL 1.27µm /50m.i. MIN.	SELECTIVE GOLD 0.38µm /15m.i. MIN. AND SELECTIVE TIN 2.03µm /80m.i. MIN. OVER NICKEL 1.27µm /50m.i. MIN.	0.9	4.5	3.6	0.5	2.3	1.9	∅ 1.3-3.1	#18-24		GS7F	LOOSE			
		.024	.091	.091	.016	.065	.071	.035-.071			39-00-0430	5558 GS7F	CHAIN		
		0.9	4.5	3.6	0.5	2.3	1.9	∅ 1.3-3.1	#18-24						
MATERIAL	FINISH	F	E	D	C	B	A	INS. RANGE	WIRE RANGE	EDP NO.	ENG NO.	FORM			

REVISED EC NO: J2005-2285 DRWN: NABEI CHKD: KTOJO APPR: NUKITA	2005/07/06 2005/07/06 2005/07/12	GENERAL TOLERANCES (UNLESS SPECIFIED)		DIMENSION STYLE MM ONLY		SCALE 10:1	DESIGN UNITS METRIC	THIRD ANGLE PROJECTION	
		10 UNDER	± 0.2	DRAWN BY H. HIRAMOTO	DATE '91/03/13	TITLE NEW MINI FIT CONN CRIMP PIN -LEAD FREE-			
		10 OVER 30 UNDER	± 0.25	CHECKED BY M. FUKUSHIMA	DATE '92/05/21	MOLEX INCORPORATED			
		30 OVER	± 0.3	APPROVED BY M. ENOMOTO	DATE '92/05/21	DOCUMENT NO. SD-5558-002			
ANGULAR ±3 °		DRAFT WHERE APPLICABLE MUST REMAIN WITHIN DIMENSIONS		MATERIAL NO. SEE CAHRT		SHEET NO. 2 OF 2			
THIS DRAWING CONTAINS INFORMATION THAT IS PROPRIETARY TO MOLEX INCORPORATED AND SHOULD NOT BE USED WITHOUT WRITTEN PERMISSION									